

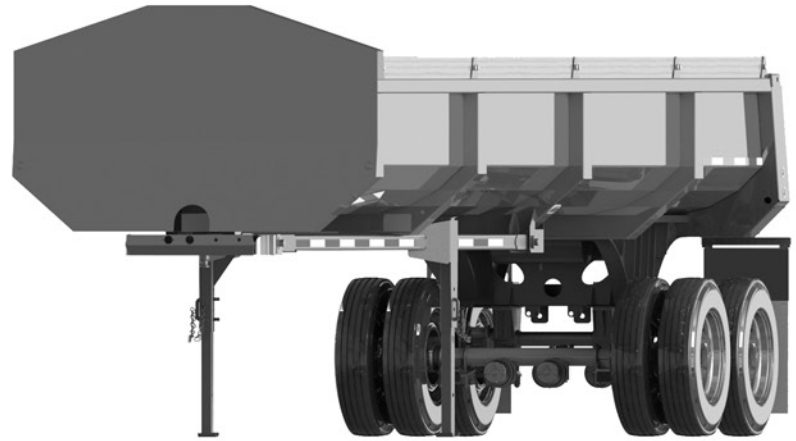
FRUEHAUF®

Custom-Built | Safety | Strength | Superior Quality



Fruehauf Light-Weight Steel Frameless End Dump, durable and long lasting, enables operators to maximize payloads and profits while increasing fuel efficiency

Composition	Steel Strenx
Suspension	Single point
Overall length	37 ft
Overall width	102 in
Overall height	9.8 ft
Inside height	3.9 ft
Number of rear axles	Tandem
Axle type	Fixed
Frame type	Frameless
Capacity	39 yd ³



LIGHT FRAMELESS STEEL END DUMP



100 YEARS INNOVATING FOR YOU

Custom-Built | Safety | Strength | Superior Quality

Toll-free 1.844.891.7729 | sales@fruehauf.mx | +52 (55) 5898.7800 | www.fruehauf.mx

LIGHT FRAMELESS STEEL END DUMP

MODEL: DB-F2-23W

BODY STRUCTURE

- **Body:** Strenx 110 XF, 10 gauge
- **Nose and Gate:** Strenx 110 XF, 10 gauge
- **Hoist:** 5 stage
- **Draft Arms:** 4" X 4" steel tubes
- **Kingpin:** 2" Holland
- **Landing Gear:** Manual lift

GENERAL SPECIFICATIONS

- **Suspension:** Single point
- **Axles:** (2) Hendrickson 25,000 lb
- **Wheels:** Steel / aluminum
- **Tires:** 24.5 / 22.5
- **Landing Gear:** Manual lift
- **Brake System:** ABS system: 2S/1M
- **Light System:** Led lighting
- **Rear Fender:** Steel
- **Mud Flaps:** (2) hard rubber in white color
- **Paint:** All steel parts primed and painted with polyurethane

ADDITIONAL OPTIONS

MISCELLANEOUS

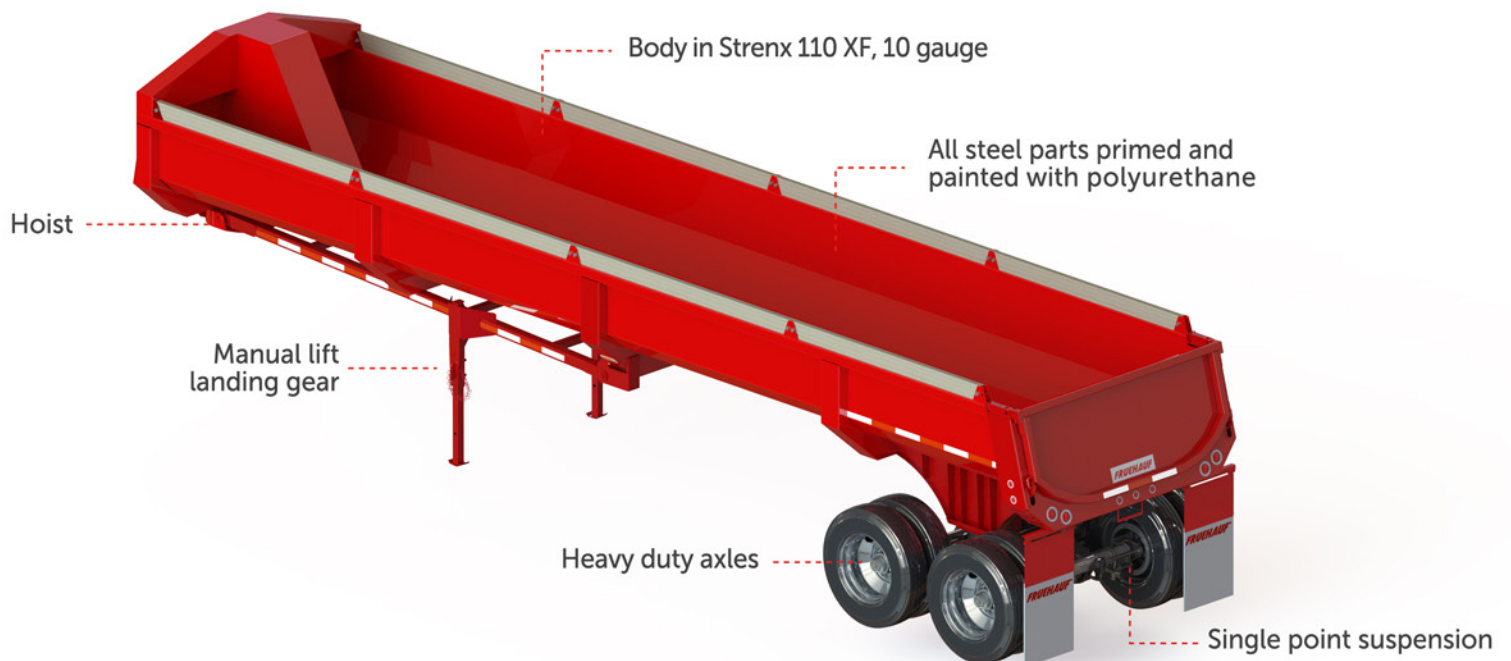
- Tarps
- Tire inflation system
- Ladder

MISCELLANEOUS

- Custom length and side heights
- Other

SUSPENSION

- Mechanical spring suspension
- Air ride suspension



FRUEHAUF® equipment is designed to provide **real hauling solutions**